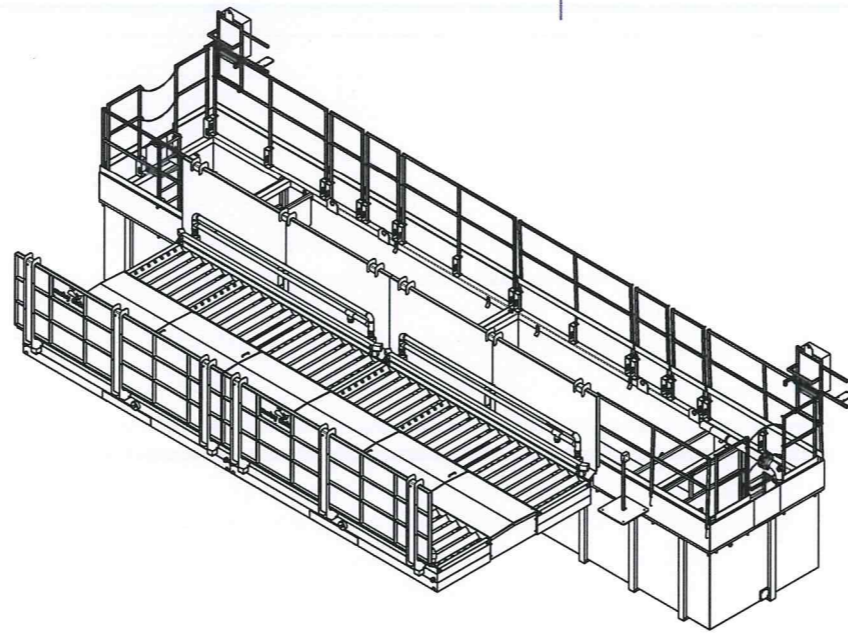
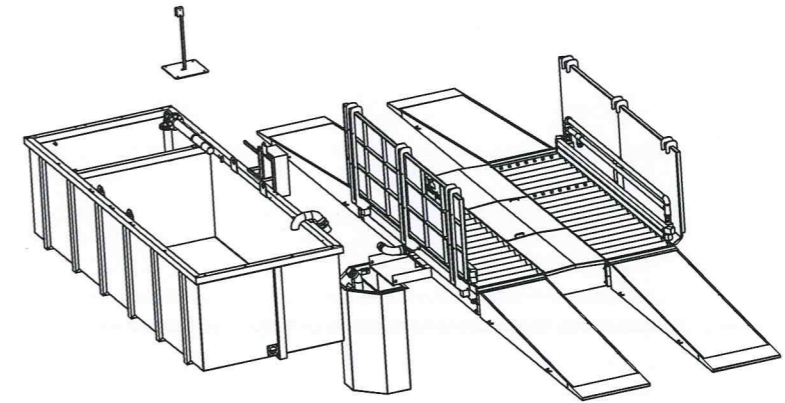


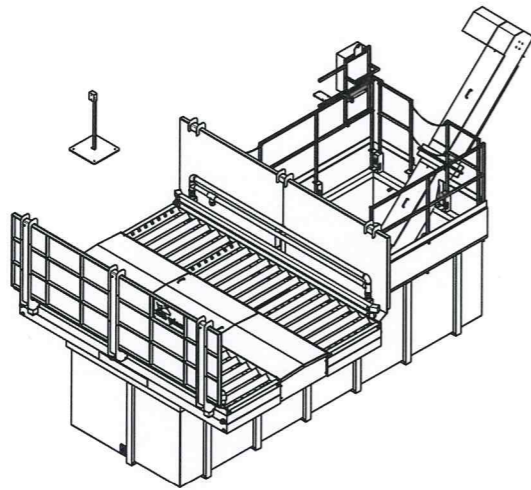
KIT 400B



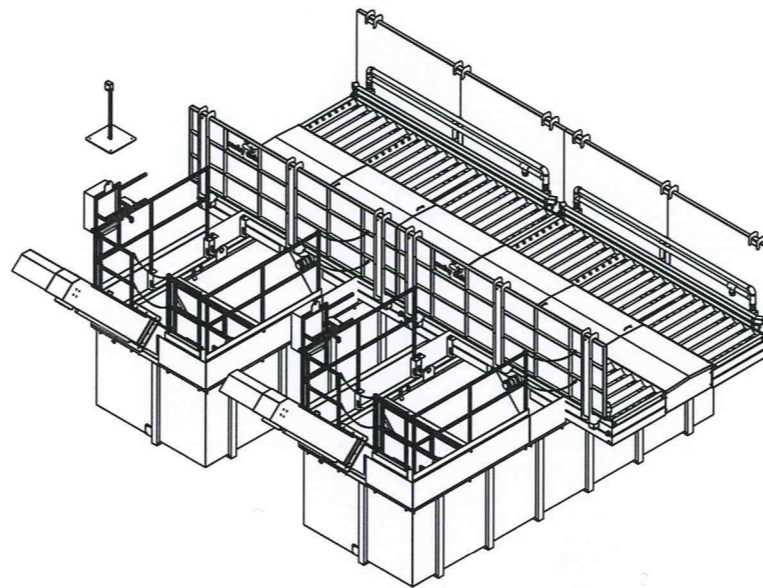
KIT 800B



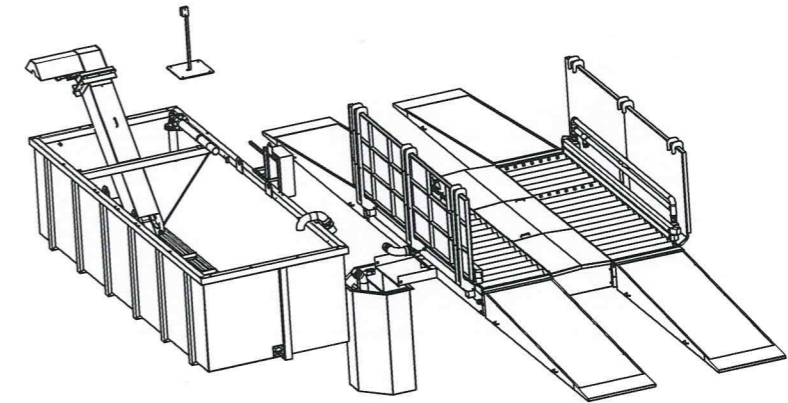
KIT Mobile B



KIT 400C



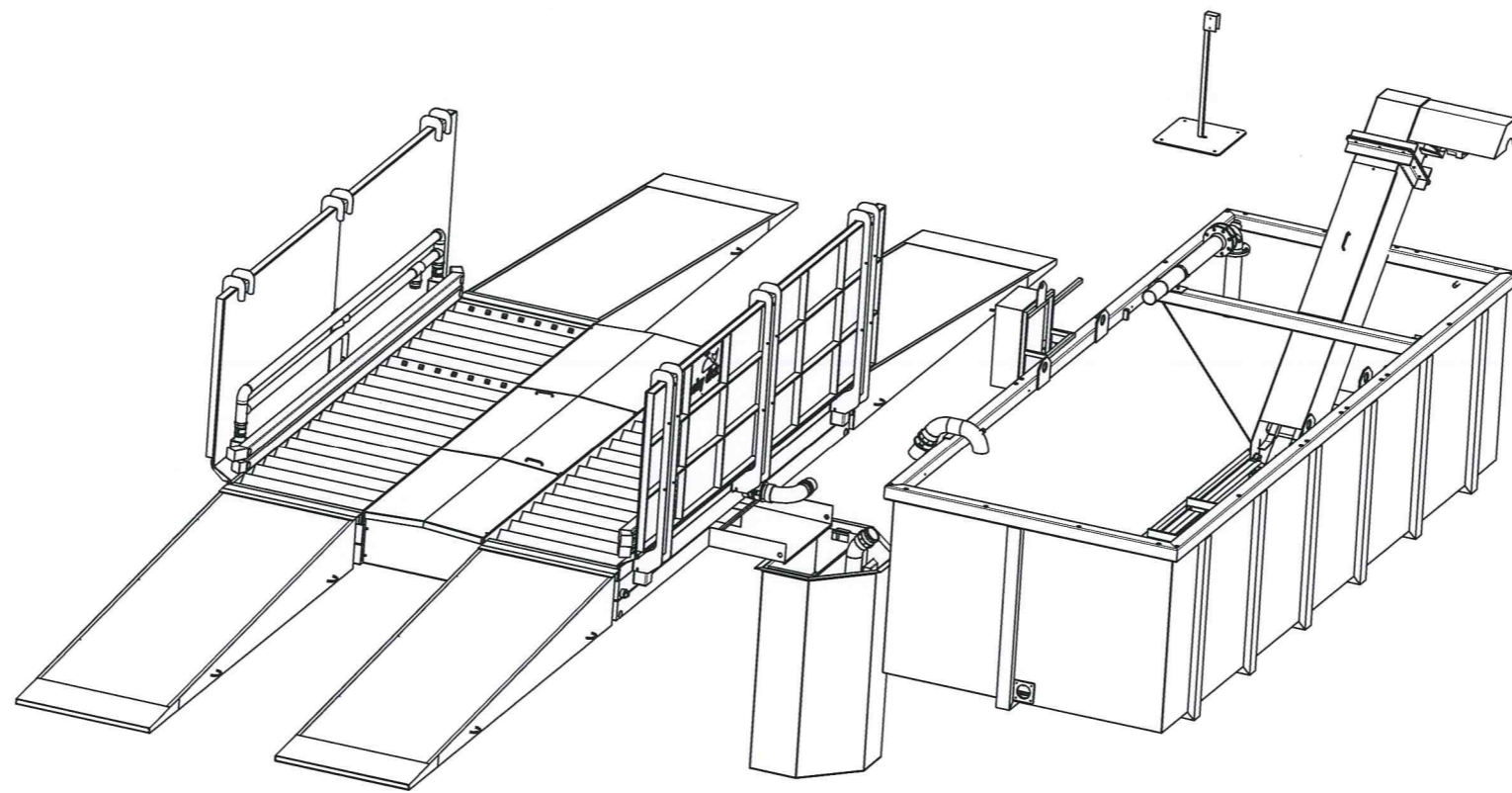
KIT 800C




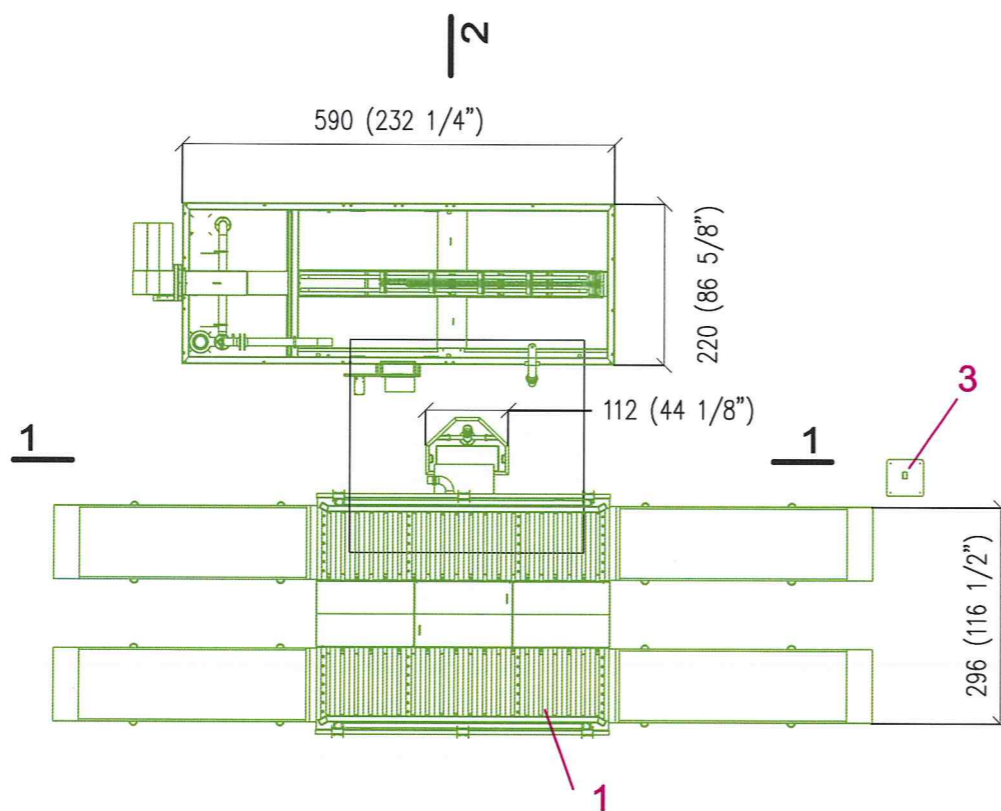
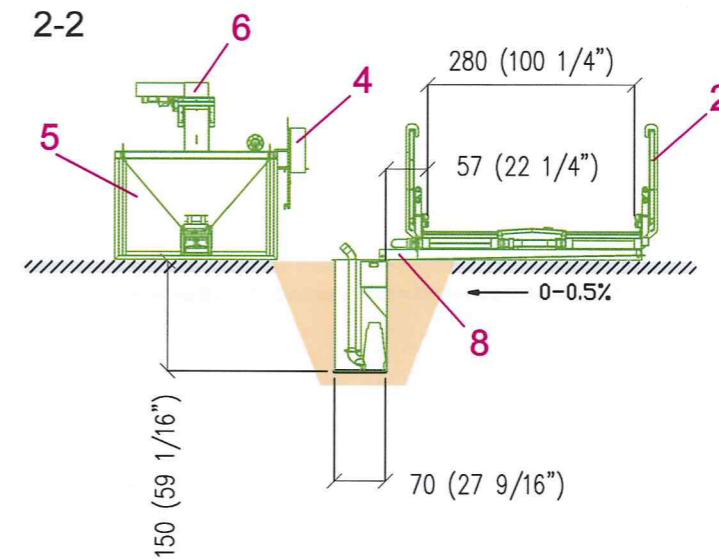
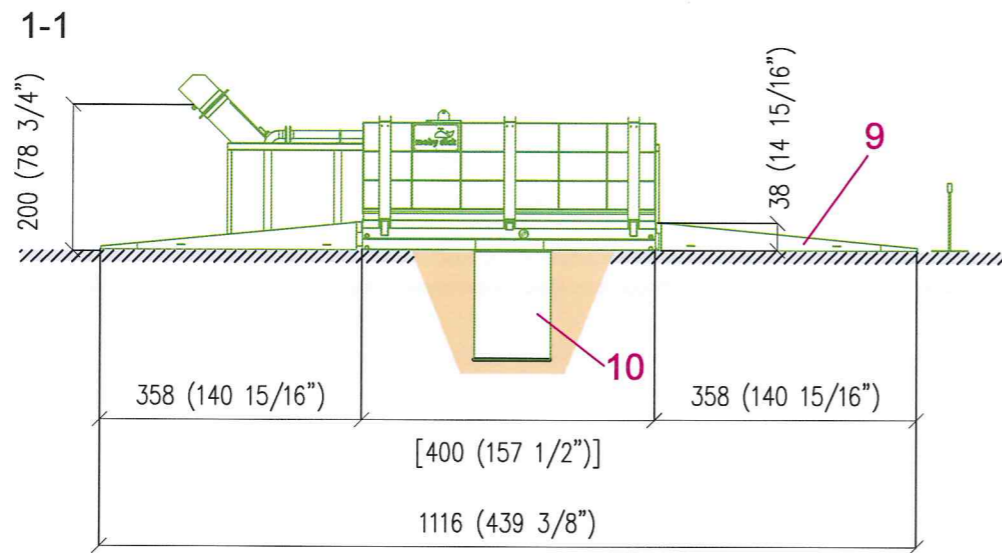
KIT Mobile C

This drawing may not be copied or disclosed to third persons without permission of FRUTIGER. We are the owner of this design.				Coating:	
FRUTIGER Company AG CH 8409 Winterthur (www.frutiger.ch)				Semi_product:	
Project:		Total Weight:		Size:	
ConLine				Material:	
Name:		FrutigerNumber:		Sheet / total:	
KIT		Melzer		Blatt1/23	
Drawn: L. Rahnholz		DATE: 2011.01.30		Scale:	
Shaped: L. Rahnholz		DATE: 2011.01.30		Rev:	
		Drawing number:		-	
		N002-RB01			



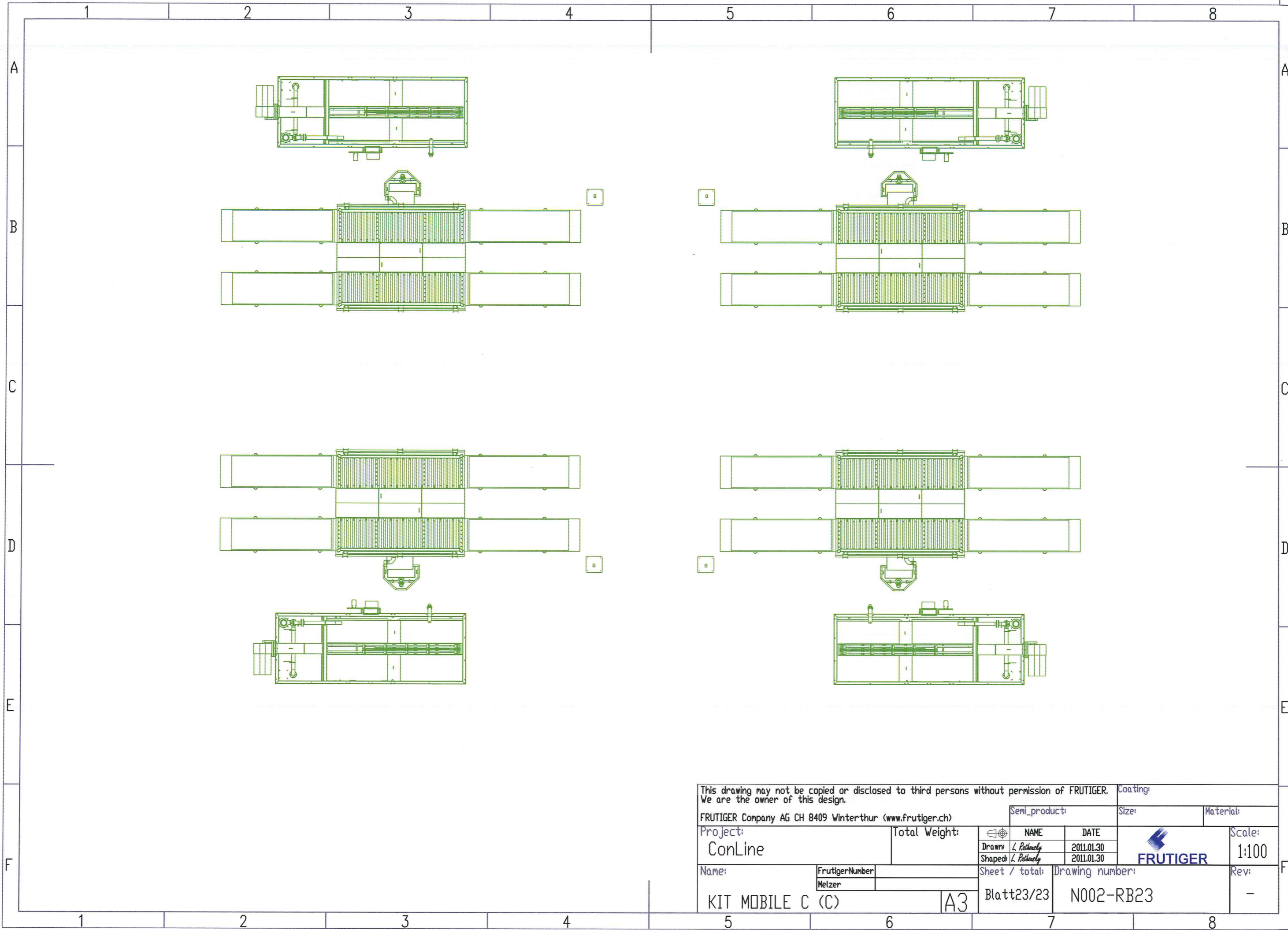



This drawing may not be copied or disclosed to third persons without permission of FRUTIGER. We are the owner of this design.				Coating:	
FRUTIGER Company AG CH 8409 Winterthur (www.frutiger.ch)			Semi_product:		Material:
Project: ConLine		Total Weight:	NAME	DATE	Scale:
Name: KIT Mobil C		FrutigerNumber Melzer	Drawn: <i>L. Rehnoldy</i>	2011.01.30	
			Shaped: <i>L. Rehnoldy</i>	2011.01.30	
			Sheet / total:	Drawing number:	
			Blatt21/23	N002-RB21	
					Rev: -



This drawing may not be copied or disclosed to third persons without permission of FRUTIGER. We are the owner of this design.

FRUTIGER Company AG CH 8409 Winterthur (www.frutiger.ch)		Semi_product:	Size:	Material:
Project: ConLine	Total Weight:	NAME	DATE	Scale: 1:100
Name: KIT MOBILE C	FrutigerNumber: Melzer	Drawn: L. Rothmety	2011.01.30	FRUTIGER
		Shaped: L. Rothmety	2011.01.30	
		Sheet / total:	Drawing number:	Rev:
	A3	Blatt22/23	N002-RB22	-



This drawing may not be copied or disclosed to third persons without permission of FRUTIGER. We are the owner of this design.				Coating:	
FRUTIGER Company AG CH 8409 Winterthur (www.frutiger.ch)			Semi_product:	Size:	Material:
Project:	Total Weight:	NAME	DATE		Scale:
ConLine		Drawn: <i>L. Röhrenly</i>	2011.01.30		1:100
		Shaped: <i>L. Röhrenly</i>	2011.01.30		
Name:	FrutigerNumber:	Sheet / total:	Drawing number:		Rev:
KIT MOBILE C (C)	Melzer	Blatt23/23	N002-RB23		-